



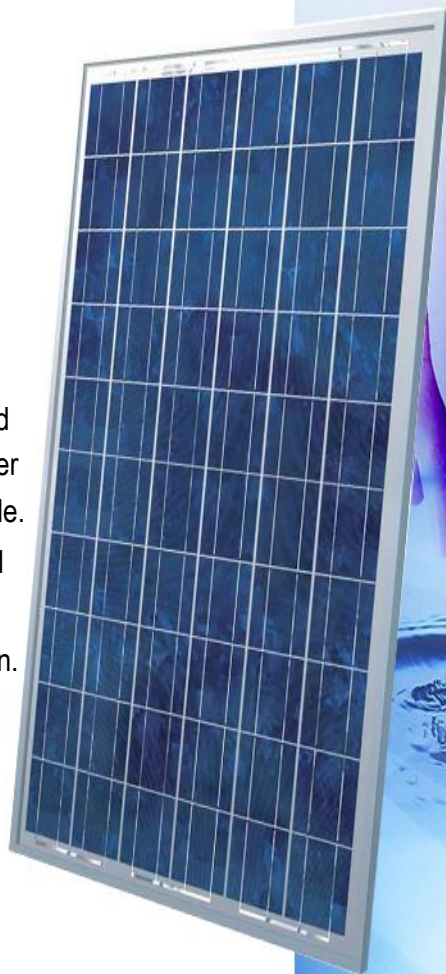
PERLIGHT

PLM-P220 Series

HIGH POWER, HIGH EFFICIENCY

FEATURE

- Solar Cell: High efficiency crystalline solar cell. Even if under the weak light, the solar module can produce maximum power output.
- Tempered glass: Anti-reflecting coating and high transmission rate glass increase the power output and mechanical strength of solar module.
- EVA and DNP: Using high quality EVA and DNP to prevent destroying and water.
- All frame: Without screw, corner connection. 6 holes on the frame can be installed easily.
- Junction box: Multi function junction box with water proof.
- Long lifetime: ≥ 25 years; Less power decrease.
- Good performance of preventing from atrocious weather such as wind and hails.
- Resisting moisture and etching effectively, not effect by geology.
- The certificate issued by international authority: ISO Quality Management system, CE, and TUV.



IEC61215&IEC61730

ELECTRIC CHARACTERISTICS

Model	PLM-P240	PLM-P230	PLM-P220	PLM-P210	PLM-P200
Maximum Power(Pmax)	240Wp	230Wp	220Wp	210Wp	200Wp
Open circuit voltage (Voc)	37.5V	37.0V	36.8V	36.4V	36.0V
Short circuit current (Isc)	8.38A	8.18A	8.00A	7.86A	7.75A
Voltage at Pmax (Vpm)	30.6V	30.0V	29.8V	29.2V	28.7V
Current at Pmax (Ipm)	7.84A	7.66A	7.39A	7.19A	6.97A
Solar Cell Efficiency	16.68%	16.0%	15.3%	14.6%	13.9%
Solar Module Efficiency	15.2%	14.54%	13.9%	13.28%	12.65%
Cells	156*156 Poly-crystalline silicon				
No.of cells and connections	60 in series				
Maximum System Voltage	1000VDC				
Series Fuse Rating	10A				

(STC) Standard Test Conditions: Irradiance 1000W/m2 , Temperature 25°C, AM=1.5

MECHANICAL CHARACTERISTICS

Dimensions	1650 × 992 × 46mm/ 64.96" × 31.8" × 1.81"
Weight	21KG/ 46.30lbs
Length of Cable	900mm/ 35.43"
Size of Carton	1665*1007*107mm/ 65.56" × 39.65" × 4.21"
Packing Configuration	2 pcs per carton
Pallet Quantity	42 pcs per pallet
Loading Capacity(20'FT)	294 pcs (7 pallet)
Loading Capacity(40'HQ)	588 pcs(14 pallet)

TEMPERATURE COEFFICIENT

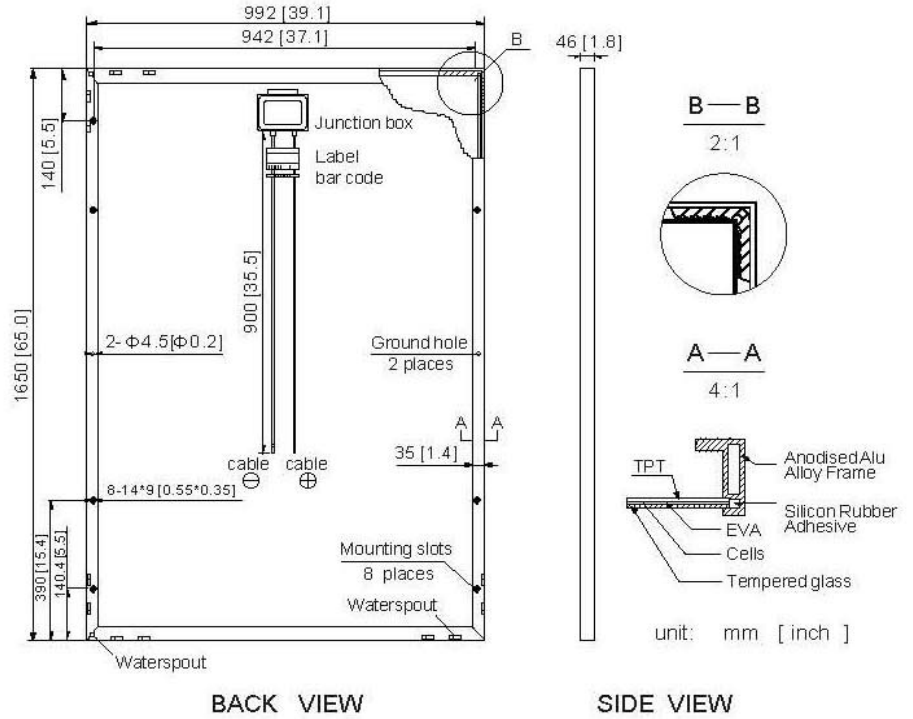
NOCT	47°C ± 2°C
Temperature coefficient of Isc	0.05%/°C
Temperature coefficient of Voc	-0.35%/°C
Temperature coefficient of Pmax	-0.45%/°C

TEMPERATURE COEFFICIENT

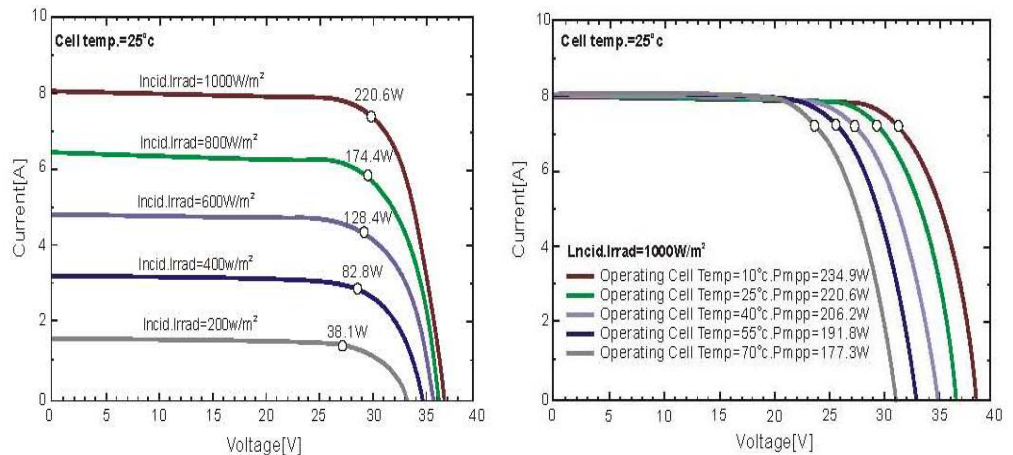
Temperature cycling range	-40°C~85°C
Humidity freeze, damp heat	85%RH
Static load front and back (e.g. wind)	2400 pa (50psf)
Front loading (e.g. snow)	5400 pa (113psf)
Hailstone impact	25mm (1 inch) at 23 m/s (52mph)



MODULE DIAGRAM



Electrical Curves



Design and Specifications are subject to change without notice.